

Product availability: Stock - Normally stocked in distribution facility



Main

Range of product	Modicon X80
Product or component type	Discrete output module
Discrete output number	8 EN/IEC 61131-2
Discrete output type	Relay
Discrete output voltage	24...240 V 19...264 V AC 12...24 V 10...34 V DC

Complementary

[I _{th}] conventional free air thermal current	3 A
Insulation resistance	> 10 MOhm 500 V DC
Power dissipation in W	2.7 W
Response time on output	< 10 ms activation < 8 ms deactivation
Typical current consumption	79 mA 3.3 V DC
MTBF reliability	2119902 H
Output overload protection	Use 1 fast blow fuse per channel or group of channel
Output overvoltage protection	Use discharge diode on each output DC Use RC circuit on each output AC Use ZNO surge limiter on each output AC
Output short-circuit protection	Use 1 fast blow fuse per channel or group of channel
Minimum switching current	10 MA 5 V DC

Electrical durability	AC-15 100000 cycles 220 VA 200...240 V 0.35) AC-12 1000000 cycles 110 VA 110...120 V AC-12 1000000 cycles 220 VA 200...240 V AC-12 1000000 cycles 50 VA 48 V AC-15 1000000 cycles 110 VA 200...240 V 0.35) DC-12 1000000 cycles 24 W 24 V DC-13 1000000 cycles 24 W 24 V AC-15 10000000 cycles 10 VA 110...120 V 0.35) AC-15 10000000 cycles 10 VA 200...240 V 0.35) AC-15 150000 cycles 110 VA 110...120 V 0.35) AC-15 1500000 cycles 50 VA 110...120 V 0.35) AC-15 2000000 cycles 24 VA 48 V 0.35) DC-13 2000000 cycles 10 W 24 V DC-12 300000 cycles 40 W 24 V AC-15 3000000 cycles 50 VA 200...240 V 0.35) AC-12 500000 cycles 110 VA 48 V AC-12 500000 cycles 220 VA 110...120 V AC-15 5000000 cycles 10 VA 48 V 0.35) AC-15 500000 cycles 24 VA 24 V 0.35) AC-12 700000 cycles 50 VA 24 V
Status LED	Module operating (RUN) 1 LED Green) Channel diagnostic 1 LED per channel Green) Module error (ERR) 1 LED Red) Module I/O 1 LED Red)
Net weight	0.32 Lb(US) (0.145 kg)

Environment

IP degree of protection	IP20
Directives	2014/35/EU - low voltage directive 2014/30/EU - electromagnetic compatibility
Environmental characteristic	Corrosion resistance Dust resistant
Dielectric strength	2000 V AC 50/60 Hz 1 min
Vibration resistance	3 gn
Shock resistance	30 gn
Ambient air temperature for storage	-40...185 °F (-40...85 °C)
Ambient air temperature for operation	32...140 °F (0...60 °C)
Relative humidity	5...95 % 131 °F (55 °C) without condensation
Operating altitude	0...6561.68 ft (0...2000 m) 2000...5000 m with derating factor

Ordering and shipping details

Category	18160 - MODICON M340
Discount Schedule	PC34
GTIN	03595863910650
Nbr. of units in pkg.	1
Package weight(Lbs)	6.24 Oz (177 g)
Returnability	Yes
Country of origin	FR

Packing Units

Unit Type of Package 1	PCE
Package 1 Height	2.17 In (5.5 cm)
Package 1 width	4.33 In (11 cm)
Package 1 Length	4.92 In (12.5 cm)
Unit Type of Package 2	S02
Number of Units in Package 2	15
Package 2 Weight	6.61 Lb(US) (2.998 kg)
Package 2 Height	5.91 In (15 cm)

Package 2 width	11.81 In (30 cm)
Package 2 Length	15.75 In (40 cm)

Offer Sustainability

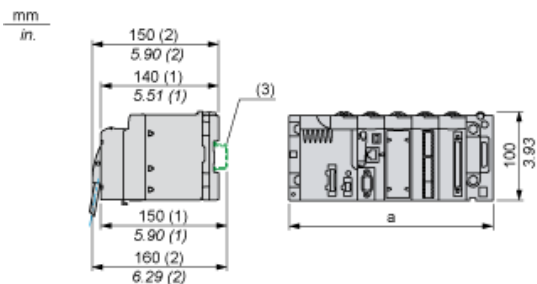
Sustainable offer status	Green Premium product
California proposition 65	WARNING: This product can expose you to chemicals including: Lead and lead compounds, which is known to the State of California to cause cancer and birth defects or other reproductive harm. For more information go to www.P65Warnings.ca.gov
REACH Regulation	REACH Declaration
REACH free of SVHC	Yes
EU RoHS Directive	Pro-active compliance (Product out of EU RoHS legal scope) EU RoHS Declaration
Mercury free	Yes
RoHS exemption information	Yes
China RoHS Regulation	China RoHS Declaration
Environmental Disclosure	Product Environmental Profile
Circularity Profile	End Of Life Information
WEEE	The product must be disposed on European Union markets following specific waste collection and never end up in rubbish bins.

Contractual warranty

Warranty	18 months
----------	-----------

Modules Mounted on Racks

Dimensions

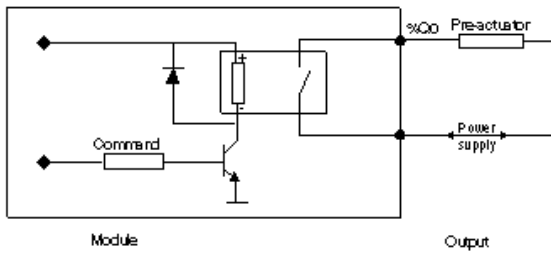


- (1) With removable terminal block (cage, screw or spring).
- (2) With FCN connector.
- (3) On AM1 ED rail: 35 mm wide, 15 mm deep. Only possible with BMXXBP0400/0400H/0600/0600H/0800/0800H rack.

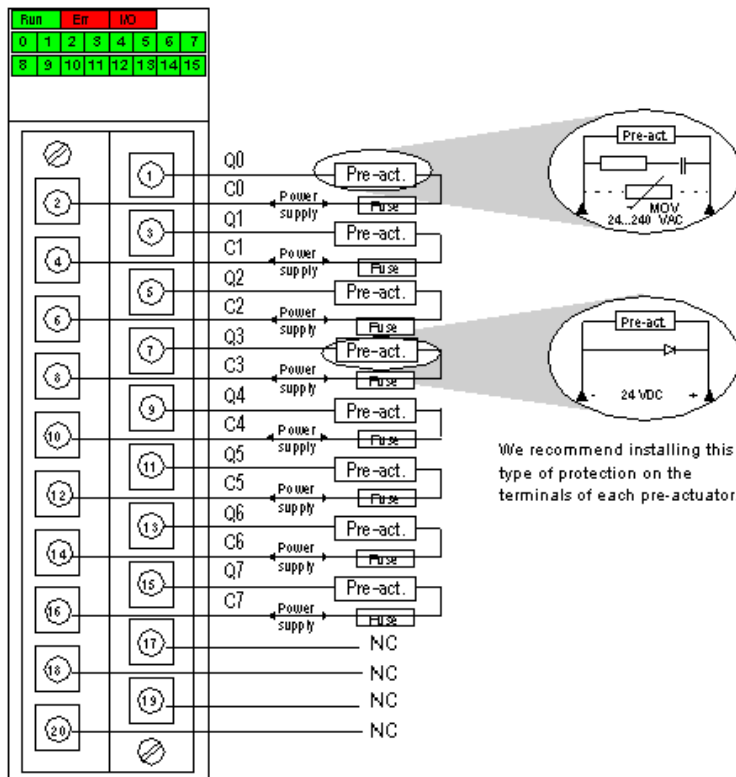
Rack references	a in mm	a in in.
BMXXBP0400 and BMXXBP0400H	242.4	09.54
BMXXBP0600 and BMXXBP0600H	307.6	12.11
BMXXBP0800 and BMXXBP0800H	372.8	14.68
BMXXBP1200 and BMXXBP1200H	503.2	19.81

Connecting the Module

Output Circuit Diagram



Module Connection



power supply or 24...240 VAC
fuse 1 fast blow fuse of 3 A for each relay
NC not connected

Product Life Status : **End of commerc. announced**